



COSCO HEAVY TRANSPORT

— Da Type 1 —



<u>Vessel Name</u>	<u>Built</u>
Da Zhong	1998
Da Hua	1998
Da Fu	1998
Da Qiang	1998

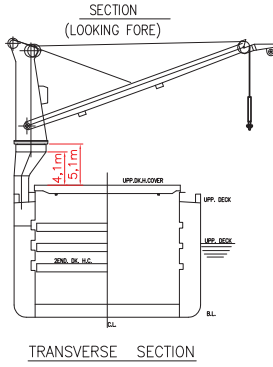
Main Data

Flag:	Panama
Classification:	LRS+100A1 LI+LMC UMS
Speed:	15.2 knots
LOA:	153 m (502 ft)
Breadth moulded:	23 m (75.46 ft)
Depth:	14.1 m (46.26 ft)
Draft:	9.1 m (29.9 ft)
Deadweight:	16,967 mt
SWL	30 mt x 1 + 250 mt x 2 (Comb 500 mt)
TEU	685
Adjustable Tween Deck	

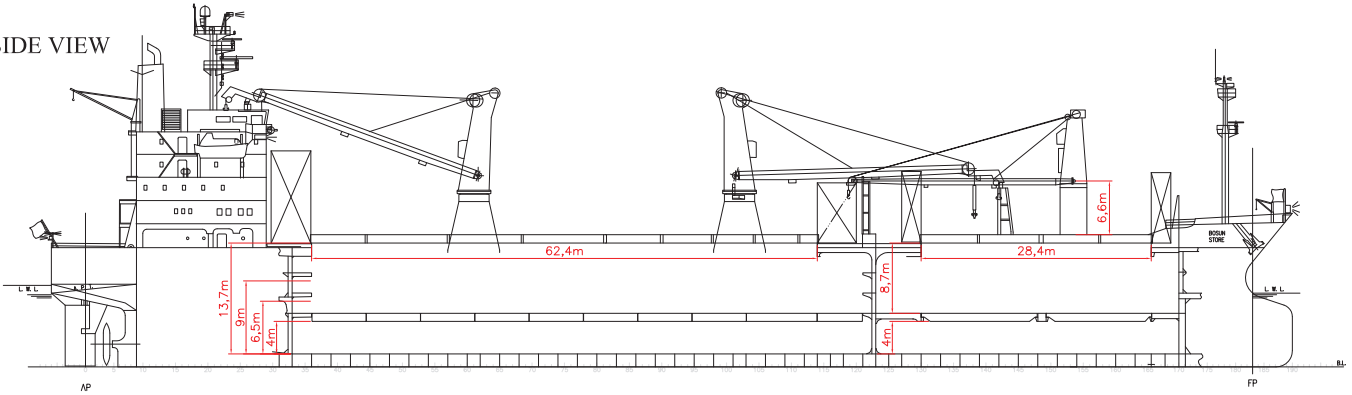
www.coscoht.com



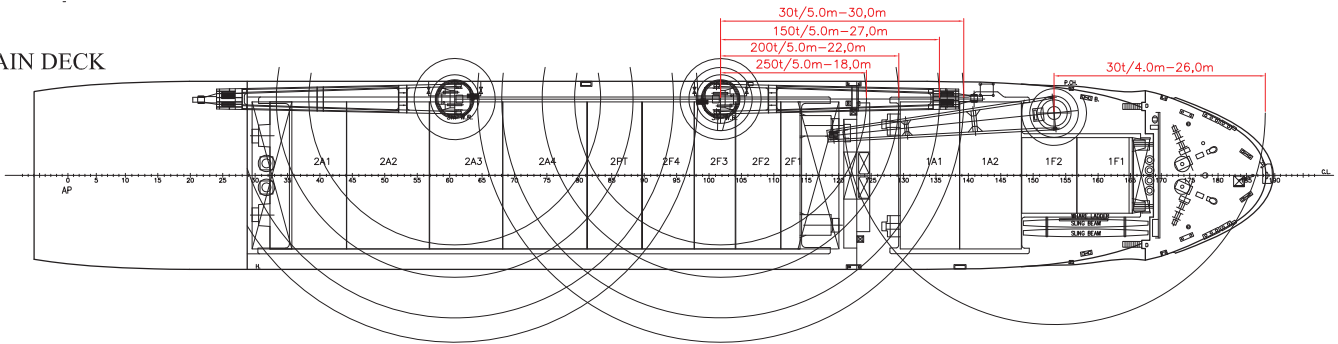
— Da Type 1 —



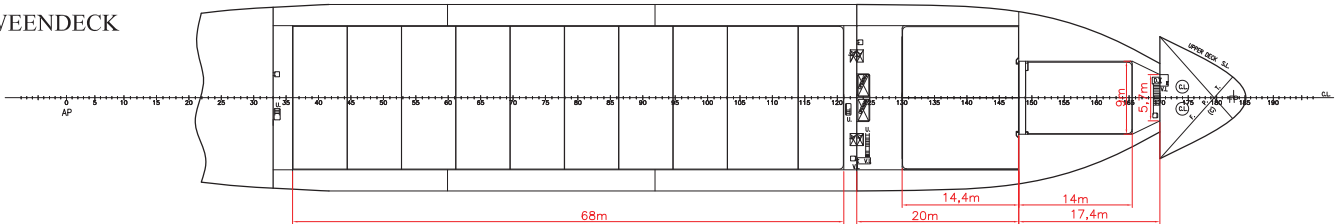
SIDE VIEW



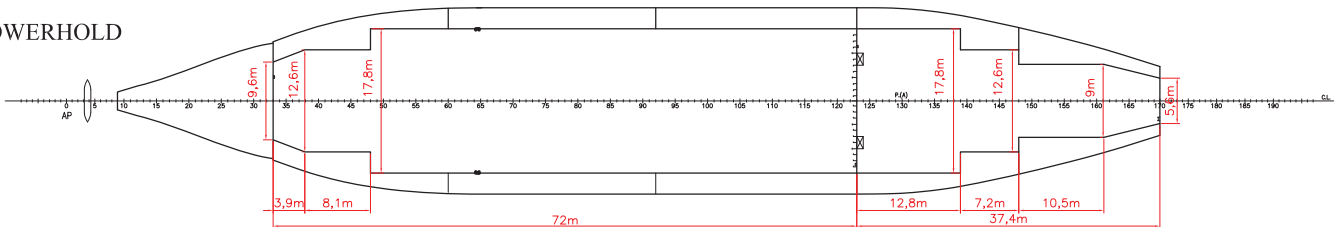
MAIN DECK



TWEEDECK



LOWERHOLD



COSCO Shipping Americas Inc.
 Telephone: +1-281-497-4300
 E-mail: Americas@coscoht.com

COSCO Shipping Europe B.V.
 Telephone: +31-10-24 04 777
 E-mail: Europe@coscoht.com